

# XE11-110-RX



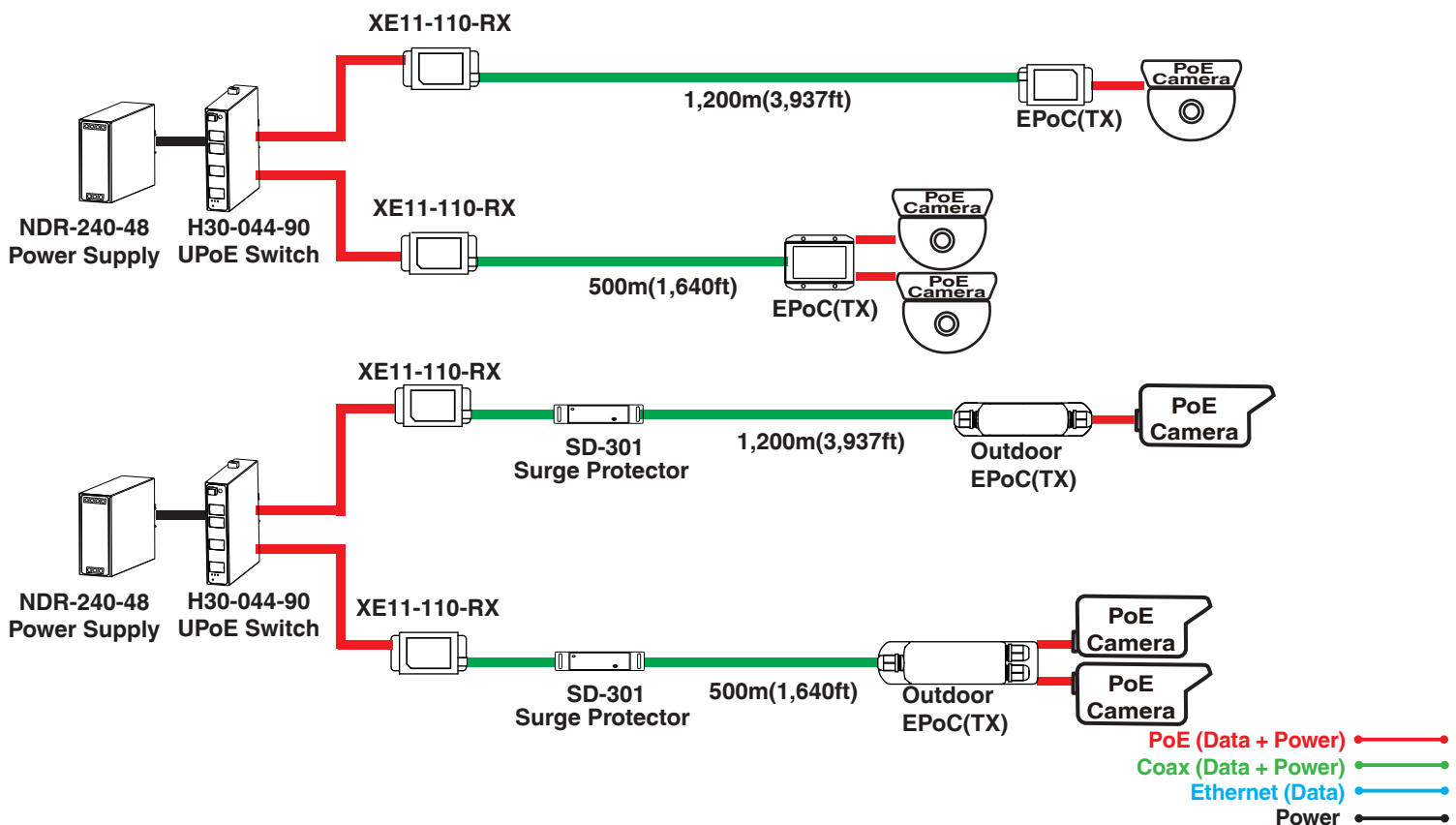
## 1-Port PoE PD EPoC RX Adapter

XE11-110-RX is an EPoC (Ethernet & Power over Coax) receiver(RX) equipped with 1 BNC port & 1 PoE PD LAN port. This cutting-edge model allows all of the power for the link to be sourced from a PoE switch or PoE injector. UPoE PSE ( $\geq 60W$ ) is recommended for a long range PoE solution providing data & power to EPoC TX adapter and PoE IP camera over single coaxial cable up to 1,200m (3,937ft). Besides long range PoE solution, XE11-110-RX is also often used to upgrade legacy of CCTV to IP surveillance without changing existing coaxial cable infrastructure.

### Features

- One BNC coax port & one 10/100Mbps PoE PD port
- Without requiring extra power adapter
- PoE pass through coax to remote PoE IP camera
- Extends PoE to Transmitter(TX) and PoE IP camera
- Optional 19" 8-bay rack mount chassis(CH-110)
- Optional EPoC surge protector(SD-301)

### Applications





# Specifications

## Interface / Distance

Coaxial BNC	75 ohm x1
10/100 Mbps Ethernet	PoE PD RJ45 x1
Transmission mode	Receiver RX mode
Maximum TX quantity	7
MAX.(Power+Data) Distance	100Mbps, 9.7W@ 1,200m(3,937ft) 100Mbps@2,400m(7,874ft) Data only
Cable Type	75 ohm RG59/RG6/RG11 Coax
Bandwidth	600 Mbps

## Power Specifications

Power supply	Optional : I36-100 : 60W UPoE Injector H30-044-90 : 60W/95W UPoE Switch
PoE Input	Support 30W/60W/95W PoE
PoE Pass Through	Support
Unit Power Consumption	3 watts
EPoC Surge Protection	Optional extra surge protector : SD-301

## Physical Specifications

Dimensions (LxWxH)	85.4 x 47.1 x 23 mm (3.36x1.85x0.91")
Weight	0.2 kg (0.44 lb)
Connectors	BNC x1, RJ45 x1
Mounting Type	Wall mount

## Environmental Specifications

Operating Temperature	-20°C ~ 60°C (-28°F ~ 140°F)
Storage Temperature	-20°C ~ 85°C (-28°F ~ 185°F)
Relative Humidity	5% ~ 95% non-condensing

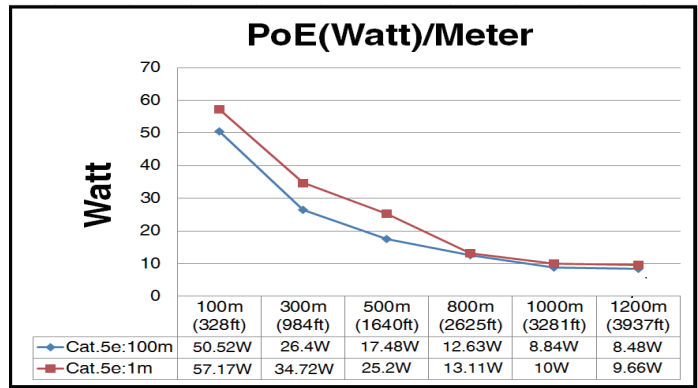
## Certifications

EMC	CE, FCC, VCCI, C-Tick
Safety	EN60950-1

## LEDs

LAN	Ethernet status
PWR	Power status
LINK	EPoC TX device connect status
POE	PoE status

# Power / Distance Chart



## Related Products

### EPoC (TX)



**XE10-110-TX**  
• 1-to-1 EPoC adapter(TX)



**XE12-120-TX**  
• 1-to-2 EPoC adapter(TX)



**XE22-110-TX**  
• 1-to-1, Outdoor EPoC adapter(TX)with IP67 / IK10 / 6KV Surge protection



**XE22-120-TX**  
• 1-to-2, Outdoor EPoC adapter(TX) with IP67 / IK10 / 6KV Surge protection

### EPoC Camera Housing (TX)



**A5000-E**  
• EPoC Camera Housing



**A5100-E**  
• EPoC Camera Housing  
• Germanium window

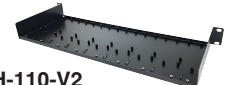


**A5020-E**  
• EPoC Camera Housing with IR illuminator (MAX: 50m)

### Accessories



**SD-301**  
• 6KV EPoC Surge Protection



**CH-110-V2**  
• 19", 1U 8-bay rack mount chassis



**BNC-Y**  
• Y-type BNC Adapter



**BNC-T**  
• T-type BNC Adapter