

Quick Installation Guide

INTRODUCTION

Model	Power Source	Description
XE10-110-RX	56VDC/65W	EPoC DC in Rx Adapter, 1x EPoC BNC, 1x FE RJ45, 1 DC Jack, -20°C~60°C
XE11-110-RX	PoE Input	EPoC PoE in Rx Adapter, 1x EPoC BNC, 1x FE RJ45, -20°C~60°C
XE10-110-TX		EPoC Tx Adapter, 1x EPoC BNC, 1x FE RJ45, 1 DC Jack, -20°C~60°C
XE12-120-TX		EPoC Tx Adapter, 1x EPoC BNC, 1x FE RJ45, 1 DC Jack, -20°C~60°C
XE22-110-TX		EPoC Outdoor Tx Adapter, 1x EPoC BNC, 1x FE RJ45, -30°C~60°C
XE22-120-TX		EPoC Outdoor Tx Adapter, 1x EPoC BNC, 1x FE RJ45, -30°C~60°C

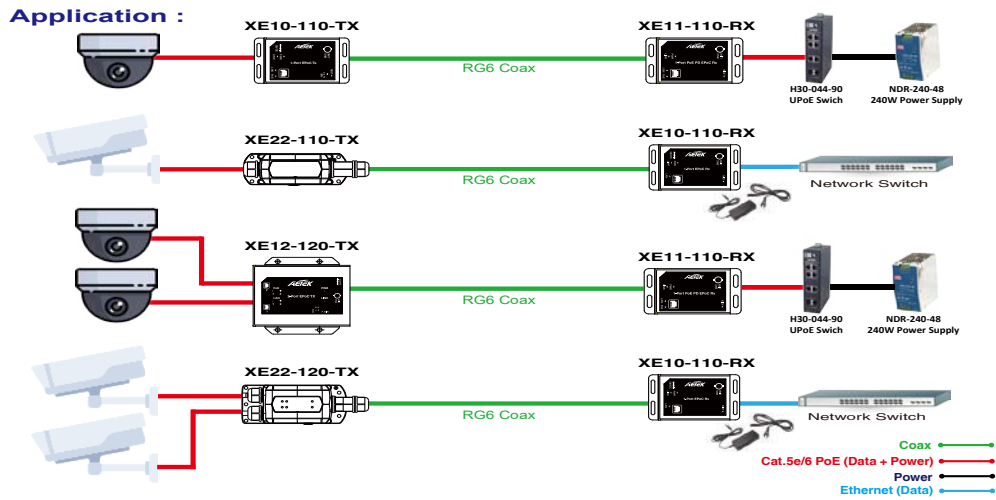
PACKAGE CONTENTS

* 1x Quick Installation Guide	* 1x 56VDC/65W Power Adapter (XE10-110-RX only)
* Waterproof Connect (XE22-110-TX / XE22-120-TX only)	

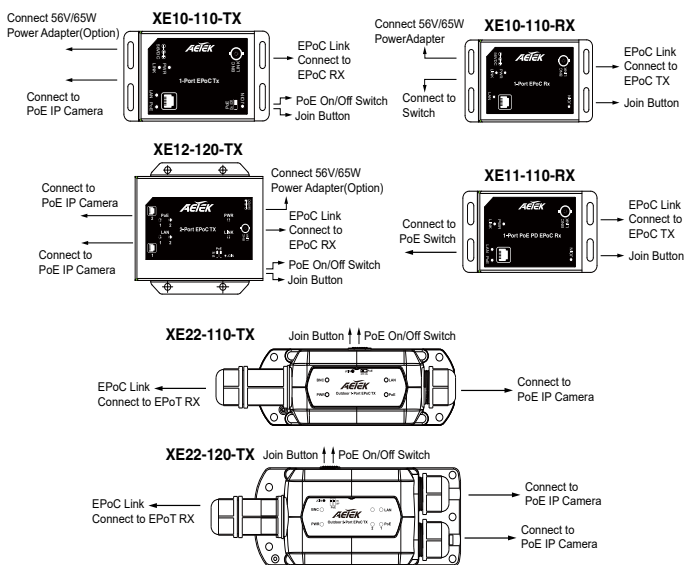
⚠ IMPORTANT:

1. Use CAT5e or CAT6 UTP/STP cables, and coaxial. cable
2. Please avoid using low quality cables, which will seriously limit the cabling distance and power delivery.
3. Make sure the power source is sufficient for your configuration.

CONNECTION



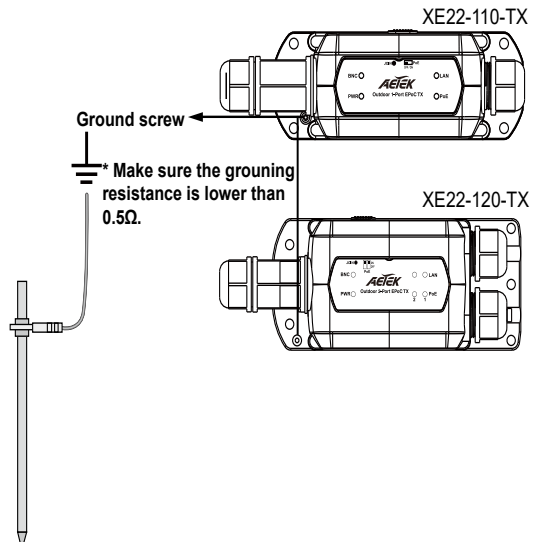
INSTALLATION



IMPORTANT:

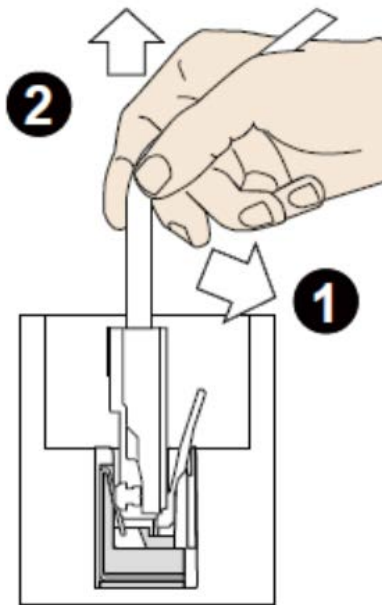
NOTE:

The XE22-110-TX Outdoor EPoC Adapter must be grounded using a ground wire between the ground screw and earth ground.



Outdoor LAN Port

To disconnect a LAN cable, loosen the cable gland and pull the cable against the socket wall towards the side of the locking tab.



Outdoor EPoC LINK Port Connector Assembly

IMPORTANT -

1. Fit a BNC plug to the coaxial cable
2. Thread the coaxial cable through the cap(A) & grip(B)
3. Split rubber(C), rubber have two sizes for meet 4.5~6.5mm or 6~8mm coaxial cable.
4. Fit the split rubber(C) over the coaxial cable
5. Thread the coaxial cable through the body(D)
6. Fit the washer(E) to the XE22-110-TX/XE22-120-TX connector
7. Plug the BNC connector on the coaxial cable into the XE22-110-TX/XE22-120-TX
8. Hold XE22-110-TX/XE22-120-TX and then screw the body(D) onto the XE22-110-TX/XE22-120-TX connector tighten firmly
9. Push rubber(C) in the grip(B) and screw the cap tighten firmly. The coaxial cable is sealed when the rubber(C) & grip(B) bulges to the edge of the cap(A). The BNC Male connector needs <38mm form coaxial cable.



Distance/Power Chart

Length of Coaxial Cable	
300m	34.72W
500m	25.2W
800m	13.11W
1000m	10W
1200m	9.66W
1200m ~ 2400m	Data only (100Mbps)

NOTE:

1. The numberts comply using RG6 coaxial cables.
2. The length of network cable for camera connection is 1m CAT5e cable.
3. The power delivery will vary on the quality of coaxial cable due to resistance.

LEDs

PoE	Yellow ON	PoE: Power port is connected to PD
LAN	Green flash	LAN: Data is being transmitted or received.
	OFF	No connection
PWR	Green ON	Power is supplied
LINK	Green ON	Rx and Tx EPoC adapter is connected.

DIP Switch

NOTE:The PoE On/Off switch is only available on XE10-110-TX / XE12-120-TX / XE22-110-TX / XE22-120-TX

DIP#	On	Delivery PoE output to PD device
	Off	No PoE output to PD device

* When Connect PoE Switch Data or PoE port ,The DIP Switch need off.

Join Button

- Press the Join button for 1-3 seconds on both Local and Remote Extenders to Link them.
- Press the Join button on the Remote Extender for 5-8 seconds to disconnect the Link between the Extenders
- Press the Join button for 10~15 seconds to reset the Extender to default.

All specifications are subject to change without notice.
Copyright © 2020 AETEK INC. All rights reserved.

AETEK INC.
6F, No.192-1, Lien-Cheng Rd., Chung-Ho, New Taipei City, 235, Taiwan, R.O.C.
|T: +886-2-82452822 |W: www.aetektec.com | E: sales@aetektec.com