

# XE12-120-TX



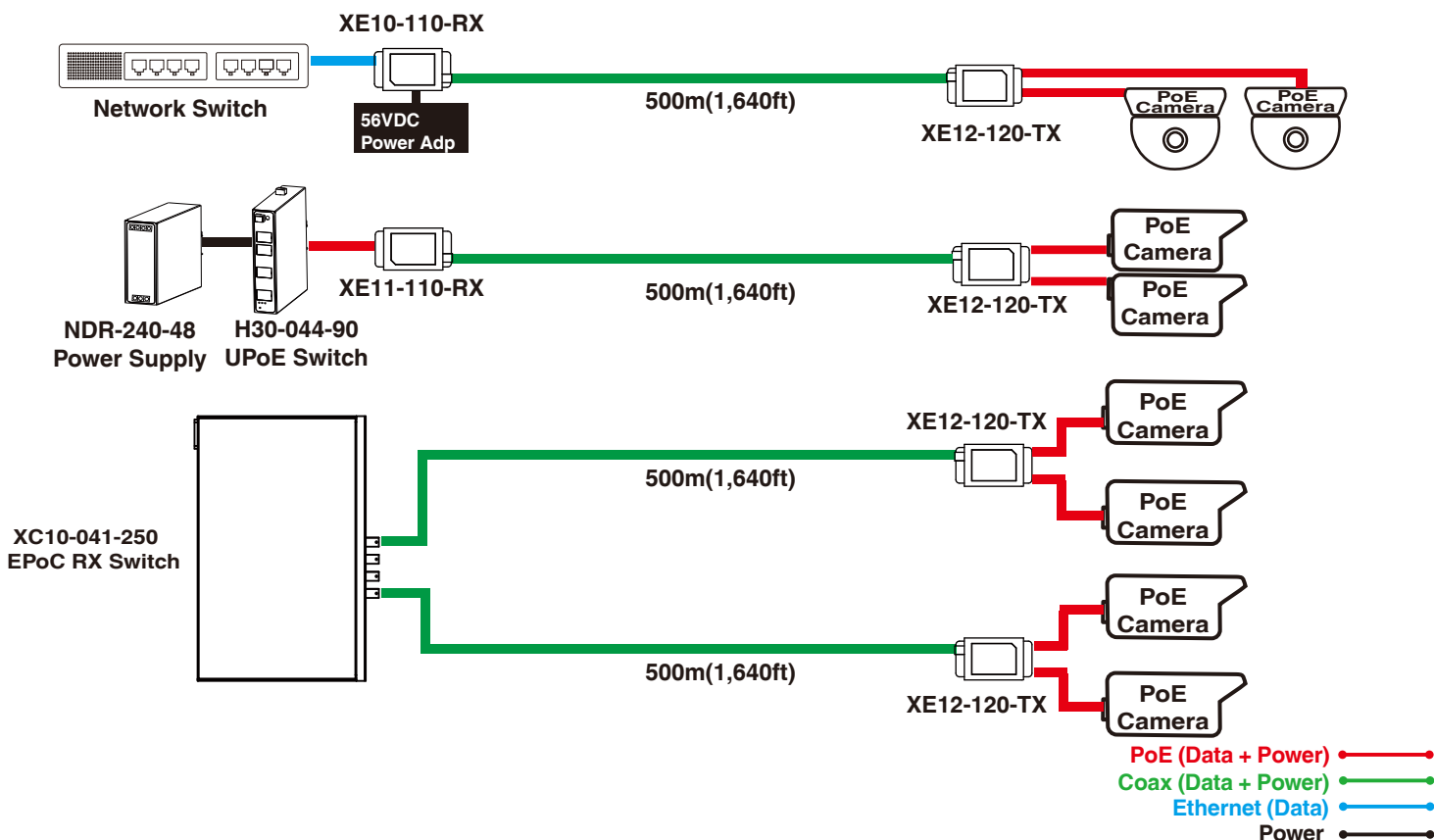
## 2-Port EPoC TX Adapter

The XE12-120-TX, a 1-to-2 EPoC (Ethernet & Power over Coax) transmitter(TX) equipped with 1 BNC port & 2-port PoE switch, is designed to connect 2 of remote PoE IP cameras over single coax without requiring extra power supply. This cutting-edge model delivers data and power at long range up to 500m with 25W PoE budget for 2 of PoE IP cameras remotely. Besides long-range PoE solution, XE12-120-TX is often used to upgrade legacy of CCTV to PoE IP surveillance without changing existing coaxial cable infrastructure.

### Features

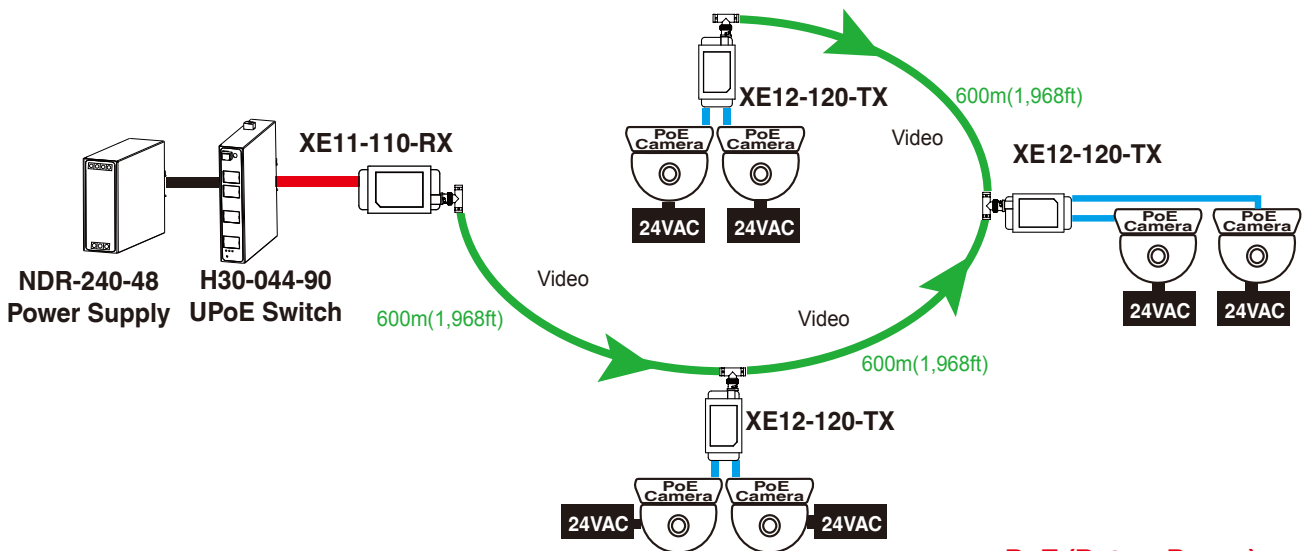
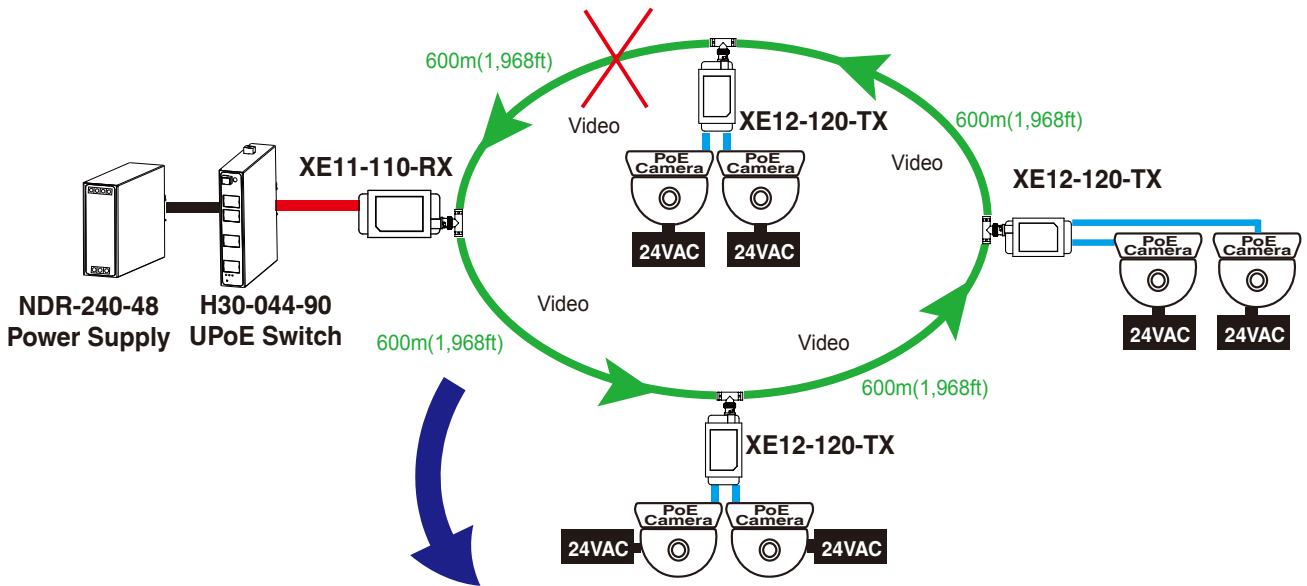
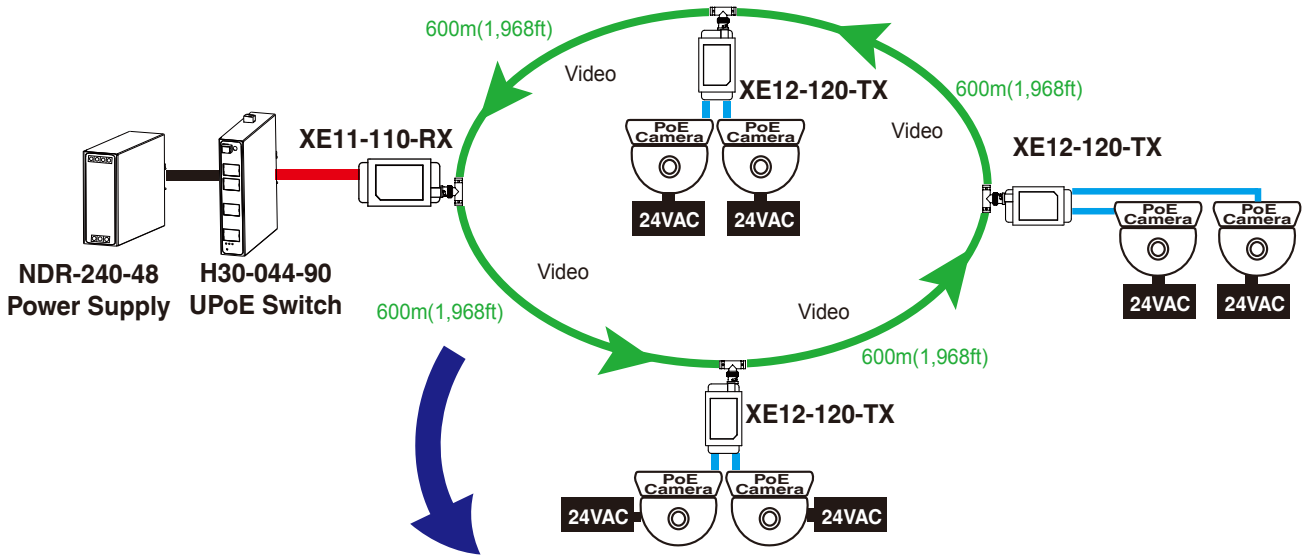
- One BNC coax port & two PoE LAN ports
- Re-uses existing coax for 2 of PoE IP cameras
- Without requiring extra power adapter beside remote PoE IP cameras
- Delivers up to 25 watts@500m(1,640ft) shared between two PoE IP cameras
- PoE Output On/Off control

### Applications



# Applications

## EoC Video Failover



- PoE (Data + Power) ————
- Coax (Data + Power) ————
- Ethernet (Data) ————
- Power ————

# Specifications

Coaxial BNC	75 ohm x1
10/100 Mbps Ethernet	PoE PSE RJ45 x2
Transmission mode	Transmitter TX mode
MAX.(Power+Data) Distance	100Mbps, 25W@500m(1,640ft) shared between two PoE IP cameras 100Mbps@2,400m(7,874ft) Data only
Cable Type	75 ohm RG59/RG6/RG11 Coax
Bandwidth	600 Mbps

## Power Specifications

Power Input	EPoC@50~57VDC, 50~57 VDC power adapter
Power Output	PoE
Unit Power Consumption	3 watts

## Physical Specifications

Dimensions (LxWxH)	103 x 86.6 x 28.9 mm (4.06x3.41x1.14")
Weight	0.26 kg (0.57 lb)
Connectors	BNC x1, RJ45 x2, DC Jack x1, PoE On/Off Switch x1
Mounting Type	Wall mount

## Environmental Specifications

Operating Temperature	-20°C ~ 60°C (-28°F ~ 140°F)
Storage Temperature	-20°C ~ 85°C (-28°F ~ 185°F)
Relative Humidity	5% ~ 95% non-condensing

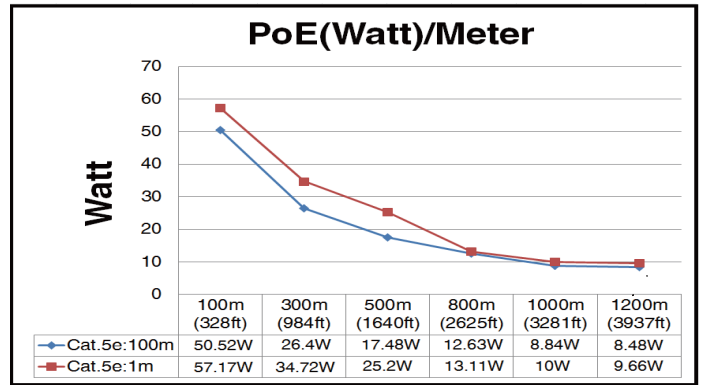
## Certifications

EMC	CE, FCC, VCCI, C-Tick
-----	-----------------------

## LEDs

LAN	Ethernet status
PWR	Power status
LINK	EPoC RX device connect status
POE	PoE status

# Power / Distance Chart



# Related Products

## EPoC RX Switch



**XC10-041-250**

- Four BNC coax ports & one Gigabit LAN port
- 6KV Surge Protection for coax port
- 250W Power Supply, 100~240VAC input

## EPoC (RX)



**XE10-110-RX**  
 • XE10-110 EPoC adapter(RX)  
 • 65W@56VDC power adapter



**XE11-110-RX**  
 • XE11-110 PoE EPoC adapter(RX)  
 • Supports 30W/60W/95W PoE Input

## Accessories



**BNC-Y**  
 • Y-type BNC Adapter



**BNC-T**  
 • T-type BNC Adapter