

VX-700LRP-KIT [VX-701-CO & VX-700-RT]

Industrial Single Port Long Reach PoE Ethernet Extender



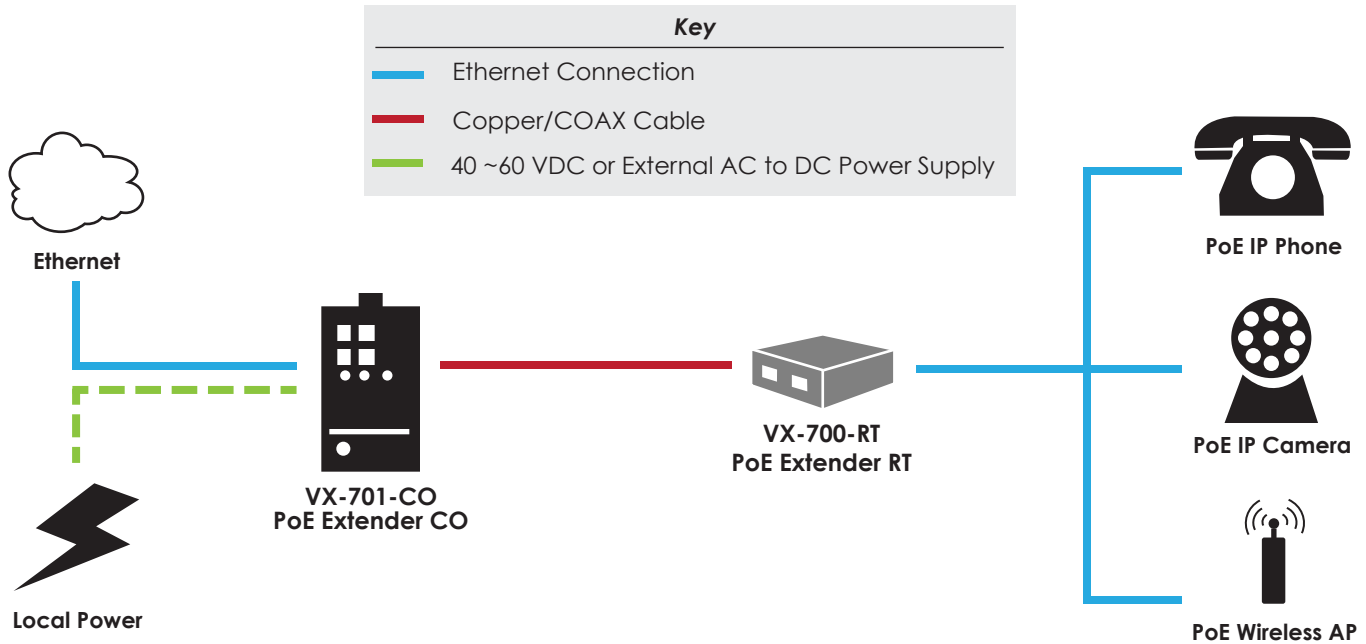
Description

Versa Technology's VX-700-RT is a Long Reach POE Extender with single POE port (CPE). It is designed to extend the reach of Ethernet Data and IEEE 802.3at Power over Ethernet beyond its natural limitations of 100m for the network infrastructure. The VX-700LRP-KIT works in pairs for point to point connectivity. The VX-700-RT can be connected to a VX-701-CO Long Reach POE Extender (CO). The master unit at the central site (VX-701-CO) can transmit data and power over a single pair of telephone grade UTP wire up to 1,200m. Without the need for local power supply, each VX-700-RT is equipped with a 10/100/1000 Base-T IEEE 802.3at PoE port for a total power budget of 30W that can support any remote IEEE 802.3at powered device (PD). It is an ideal PoE extension solution for service providers to deploy networking applications in public areas that requires IP TV, Wireless AP, IP Phones and IP Cameras.

Features

- Complies to IEEE 802.3at PoE
- Support wide temperature ranges for applications in harsh environments
- Simultaneous transmission of Ethernet data and PoE Power over UTP wire
- Centralized management of power supply
- Eliminates the need for local power supply at remote sites
- Easy cabling for quick installation
- Long transmission distance up to 1200m for UTP wire
- Quick deployment and easy maintenance
- Flexible and efficient power management
- Automatically switch between VDSL2 Profile 30a and 17a to utilize bandwidth performance

Application



Specifications



**VX-700-RT
PoE Extender RT**



**VX-701-CO
PoE Extender CO**

Hardware Interface

- RJ-11 for Copper Port
- 1 x RJ-45 10/100/1000 Base-T IEEE 802.3at PoE Port

- Terminal Block for Copper Port
- BNC Female for Coaxial Port
- 4 x RJ-45 10/100Base-TX IEEE 802.3at PoE Port

3-Position DIP Switch

N/A

- Selectable target band plan (Asymmetric or Symmetric)
- Selectable target SNR margin (6dB or 9dB)
- Selectable Remote Power (ON) or Local Power (OFF)

	VX-700-RT	VX-701-CO
LED Indicators	<ul style="list-style-type: none"> • PoE: PoE Port Status ON/OFF • 1000: ON/OFF • 10/100: ON/OFF • Power: ON/OFF • Remote: Remote Power ON/OFF • Copper Port Link: ON/OFF/Blinking 	<ul style="list-style-type: none"> • Active: System Status • LPWR/ RPWR: Local Power/Remote Power • PoE: POE Port Status • Available PoE Output (Watts): 5/15/30 • Line Speed (Mbps): Link/20/40/60/80/100
Power Supply	<ul style="list-style-type: none"> • Remotely powered by VX-701-CO Long Reach POE Extender • Terminal Block for external AC to DC adaptor (For local power scenario) • Power Consumption: 40W max. (Estimated when PoE is ON) • Over current protection • Automatic short protection 	<ul style="list-style-type: none"> • Terminal blocks for redundant DC power inputs • DIN connector for external AC to DC adaptor • Input Voltage: 48 to 57 VDC • Power Consumption: 65W max. • Over current protection • Automatic short protection
Standards Support	<ul style="list-style-type: none"> • VDSL2 ITU-T G.993.2 • VDSL2 Profiles: 17a and 30a 	
Protocol Support	<ul style="list-style-type: none"> • Transparent bridging to higher layer protocols 	
Operating Environment	<ul style="list-style-type: none"> • Operating Temp: -20°C to 65°C • Storage Temp: -40°C to 85°C • Humidity: 10% - 95% (non-condensing) 	<ul style="list-style-type: none"> • Operating Temp: -40°C to 75°C • Storage Temp: -40°C to 85°C • Humidity: 10% - 95% (non-condensing)
Physical	<ul style="list-style-type: none"> • Hardened aluminum case • Dimensions: 90.5 x 40 x 117 mm • Installation: Wall Mounting or Magnet Kit (Optional) 	<ul style="list-style-type: none"> • Hardened aluminum case, IP30 • Dimensions: 62 x 135 x 106.5 mm • Installation: DIN-Rail, Panel Rack Mounting
Regulatory Compliance	<ul style="list-style-type: none"> • CE • FCC Part 15 Class A • EN60950 	

Reference Performance Data

UTP - 24AWG Copper Wire

SNR	6dB		6dB		
Profile	Asymmetrical		Symmetrical		
Distance	Upstream Line Rate (Mbps)	Downstream Line Rate (Mbps)	Upstream Line Rate (Mbps)	Downstream Line Rate (Mbps)	PoE Output Power
300m	65	100	100	100	30W
400m	45	95	70	70	20W
600m	30	65	45	45	15W
800m	10	45	27	27	7W
1,000m	6	35	18	18	5W
1,200m	1	20	8	16	4W

* The above data is for reference only, the actual performance may vary depending on the quality of the cable and environmental conditions.